

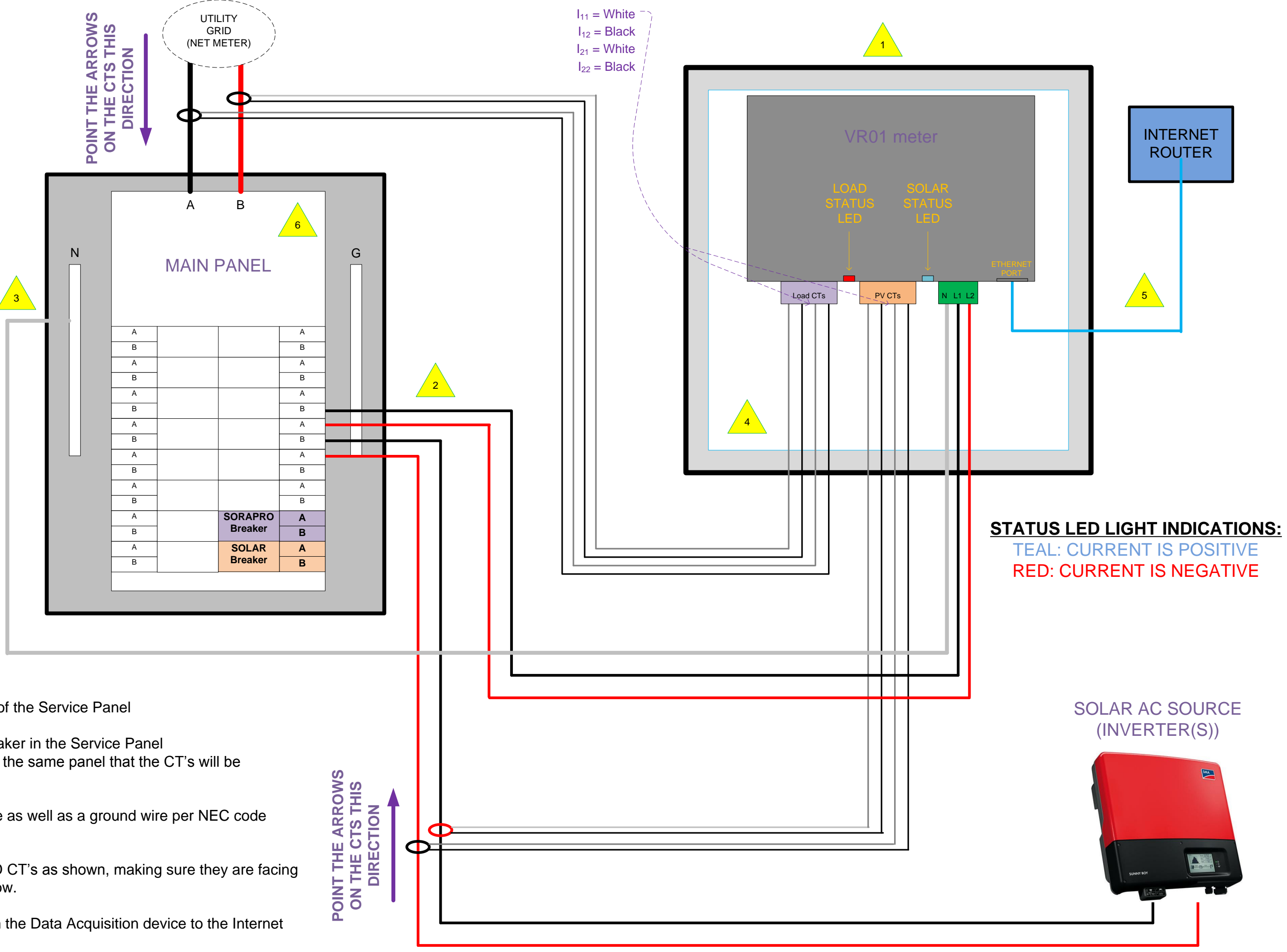
**CURRENT TRANSFORMER GUIDE**



SOLAR CT



LOAD CT



1. Locate SORAPRO within 10' of the Service Panel
2. Install a 2p20A dedicated breaker in the Service Panel  
The breaker must be installed in the same panel that the CT's will be measuring from.
3. Install a neutral reference wire as well as a ground wire per NEC code requirements.
4. Attach the PV CT's and LOAD CT's as shown, making sure they are facing the proper direction of current flow.
5. Connect an Ethernet line from the Data Acquisition device to the Internet Router as shown.