



COMMERCIAL METER

VC21

Real Time Energy Metering

- ANSI C12.20 class 0.2
- Plug and play configuration
- Indoor / Outdoor NEMA4
- Remote monitoring system
- Integrated display
- Inverter and string level options
- Up to 256 RS485 input options

PRODUCT DESCRIPTION

The SORAPRO VC21 is a full-scale commercial power meter. This power meter utilizes cutting edge, industrial technology to implement a remote, solar energy solution into a small, cost-effective package. SORAPRO incorporates a UL Recognized, ANSI C12.20 power meter and networking device with integrated display, in one NEMA4 enclosure to provide a unique solution for monitoring small commercial solar applications that require in depth inverter level or string level monitoring.

POWER METERING

The VC21 utilizes split core CT's, fused voltage references, and up to 256 optional RS485 inputs. Regardless of inverter or panel type, the VC21 measures power with the highest level of accuracy and granularity. Data is uploaded to the SORAPRO portal automatically and provides you with the data at through an easy to use web interface and portfolio view.

NETWORK CONNECTION

The VC21 is a "plug and play" device supporting a wide range of connectivity options. It can be configured to communicate via Ethernet, Powerline, or cellular networks. Data is securely transmitted via outbound only communications over open outbound ports. An onboard display indicates the status of connections to simplify communications testing.

WHO IS SORAPRO?

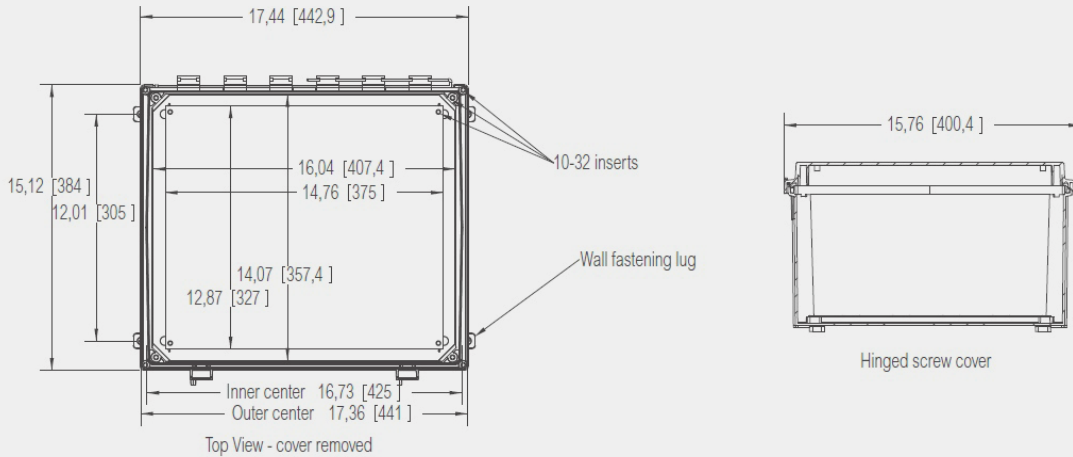
SORAPRO was developed as a research corporation dedicated to understanding the shortfalls of renewable energy installations and correcting them. Through monitoring, data servicing and analyzation, we develop cost effective solutions that are easy to incorporate for energy monitoring.

Our products are developed, designed, and assembled in the USA and serve renewable energy and building managers from around the world.

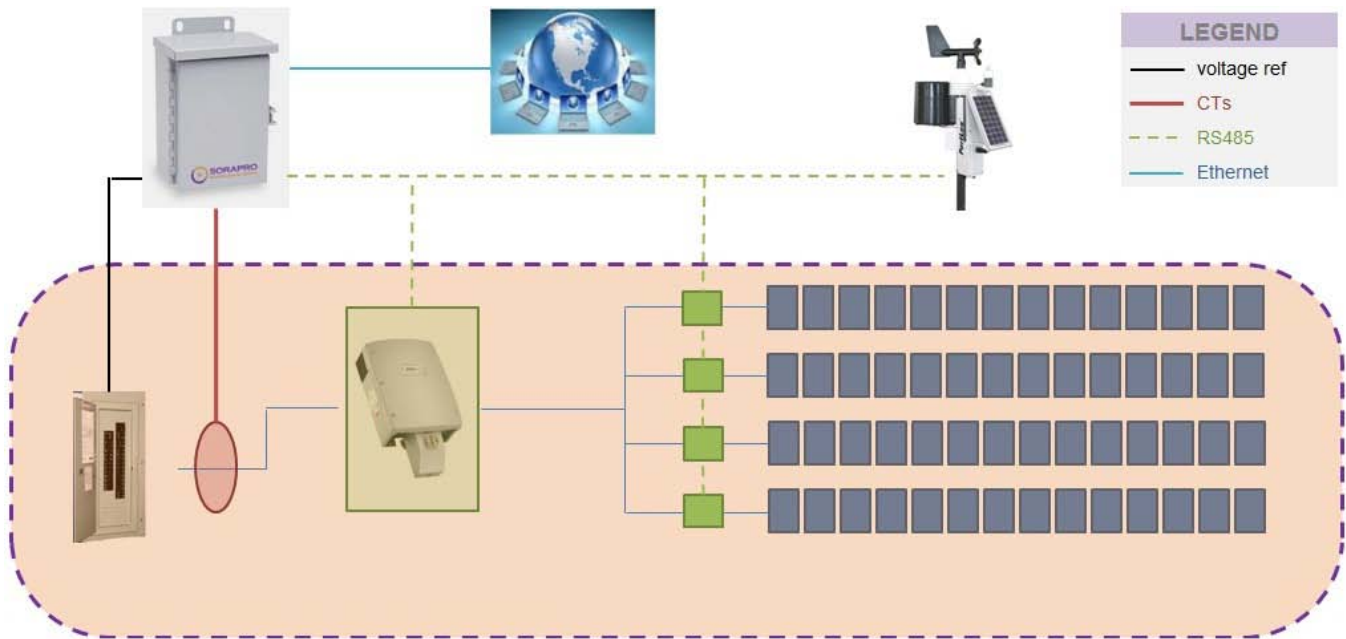
We help financiers, installers, utilities, hosts, OEMs, building managers, and research institutions in the following industries:

- Renewable energy
- Energy management
- Smart technology
- Automation
- Data collection

DIMENSIONS



TYPICAL CONFIGURATION



INPUT SPECIFICATIONS:

Voltage:	120/208/240/277/408V AC Split or Three Phase
Current:	"Safe" mA output split core CTs.

DEVICE SPECIFICATIONS:

Power Supply:	24VDC, 1.25A
Accuracy:	ANSI Class 0.2 for power/energy (at 25°C, pf >= 0.5)
Environment:	-40 to +60C, 10 to 90% RH non-condensing.
Enclosure:	16"H x 14"W x 8"D
Safety:	UL Recognized meter (US and Canada)